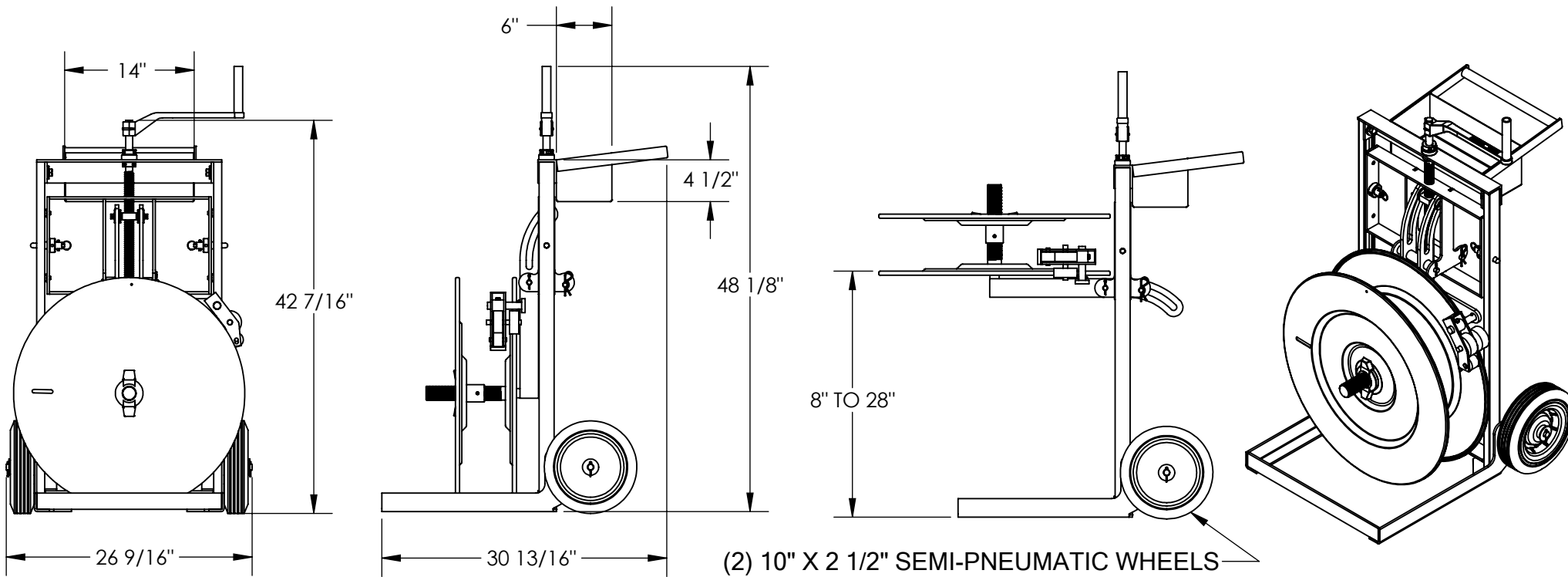


VERTICAL/HORIZONTAL STRAPPING CART - STRAP-VH

APPROX WEIGHT: 131.01 lbs.
 DOES NOT INCLUDE WEIGHT OF POWER OR PACKAGING!!!

*** ANY ADDITIONS, DELETIONS, OR OMISSIONS MUST BE CORRECTED ON THIS DRAWING AS THIS DRAWING WILL BE CONSIDERED ALL INCLUSIVE ***

ALL GRAPHICS PROVIDED ARE FOR REFERENCE ONLY. IF CERTAIN DIMENSIONS ARE CRITICAL PLEASE VERIFY THOSE DIMENSIONS WITH YOUR SALESPERSON



STANDARD FEATURES

- MODEL NUMBER IS STRAP-VH
- OVERALL WIDTH IS 26 9/16"
- OVERALL LENGTH IS 30 13/16"
- OVERALL HEIGHT IS 48 1/8"
- STRAP MAX. RAISED HEIGHT IS 28"
- STRAP MAX. LOWERD HEIGHT IS 8"
- EQUIPMENT TRAY MEASURES 14" X 6" X 4 1/2"
- EQUIPPED WITH (2) 10" X 2 1/2" SEMI-PNEUMATIC WHEELS
- FRAME TOUGH BAKED IN POWDER COAT BLUE FINISH
- REEL HOLDER TOUGH BAKED IN POWDER COAT YELLOW FINISH

SPECIAL FEATURES

NONE

DIMENSION TOLERANCE ± 1/2"

| | | |
|---|--|------------------------------------|
| APPROVAL | I, THE UNDERSIGNED, AGREE THAT THE PRODUCT AS REPRESENTED SATISFIES DESIGN AND DIMENSION REQUIREMENTS. I ALSO ACKNOWLEDGE MY DUTY TO CONFIRM PRODUCT AND INSTALLATION COMPLIANCE WITH ALL APPLICABLE FEDERAL, STATE AND LOCAL REGULATIONS AND STANDARDS. | |
| | UNITS REQUIRING APPROVAL DRAWINGS OR MODIFIED ARE NON-RETURNABLE | |
| | <input type="checkbox"/> As drawn | <input type="checkbox"/> As marked |
| | Signed: _____ | Date: _____ |
| | Printed Name: _____ | |
| <i>LEAD TIME WILL START UPON RECEIPT OF SIGNED APPROVAL DRAWING</i> | | |

| | | |
|----------------------|-------------|------------|
| DISTRIBUTOR'S NAME: | | P.O.# |
| VESTIL MANUFACTURING | | X |
| DRAWN BY: DY | | W.O.# |
| DATE: 10/25/10 | | X |
| REFERENCE: X | SCALE: 1:16 | SALES: X |
| QUOTED LEAD TIME: X | QUOTE # | FILE NAME: |
| | X | 45-007-001 |